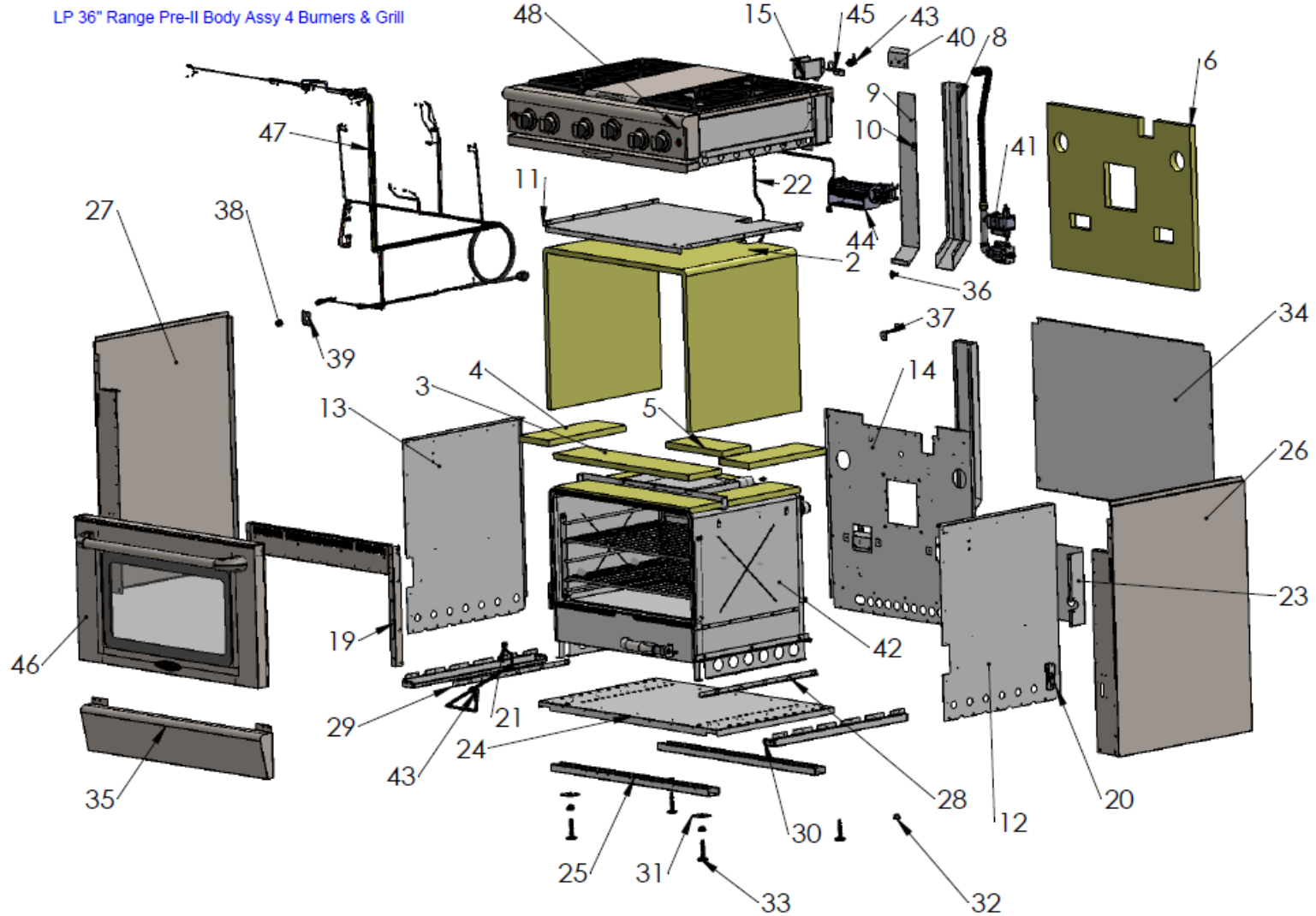


20991-03

LP 36" Range MCR Body Assy 4 Burners & Grill



LP 36" Range Pre-II Body Assy 4 Burners & Grill

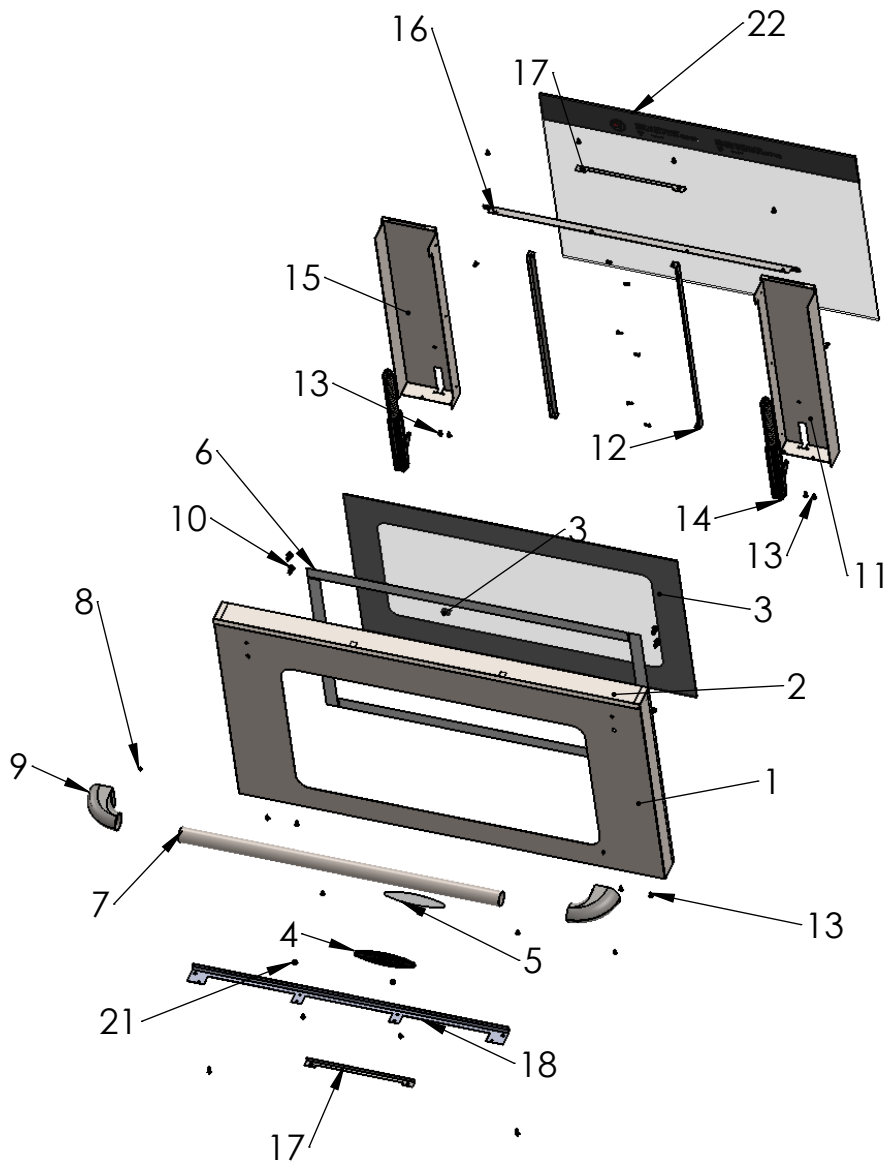
SET 1 OF 2

20991-03

20991-03

LP 36" Range MCR Body Assy 4 Burners & Grill

Item #	Part #	Description	Item #	Part #	Description
1	N/A	N/A	30	20929-01	Base Side Legs R/H W/A
2	20186-03	Insulation Top Side Wrap Range 36"	31	N/A	N/A
3	20188-01	6x27 Insulation Back Range 36"	32	N/A	N/A
4	20189-01	6x14 Insulation Top Range 36"	33	82500	Residential Adjustable Leg
5	20189-03	5X11 Insulation Top Blanket	34	20913-36	Cover, Back 36" Range
6	20184-06	MCR Back Insulation Blank 36"	35	20933-36	Kick Plate 36" Range MCR/MCOR
7	N/A	N/A	36	N/A	N/A
8	20948-30	Out Flue	37	20169-03	Wire Guide
9	20949-30	In Flue	38	N/A	N/A
10	N/A	N/A	39	20169-02	Power Cord Holder
11	20935-36	Top Insulation Retainer	40	20954-01	Flue Holder
12	20921-01	Side Insulation Retainer	41	20914-01	Regulator & Valve Assy 30"& 36" MCR/MCOR
13	20921-02	Side Insulation Retainer	42	20944-03	LP Oven Parts 36" MCR/MCOR
14	20954-36	36" Back Insulation Retainer	43	82148-01	Elbow Flare End W/Nut
15	20910-01	Bracket, Orifice Box	44	82431-02	W/O MCR Cooling Fan Single
16	N/A	N/A	45	20910-04	Bracket, Broil Elbow 30"
17	N/A	N/A	46	20955-36	MCR Door Assy 36"
18	N/A	N/A	47	82030-01	Harness, 30" Precision II
19	20945-30	Front Frame Assy, 30"-36" Range	48	20902-03	LP Range Top Assy 36" MCR 4 Burners + Grill
20A	81303-30L	Left Door Receiver Hinge		20914-01	Regulator & Valve Assy 30"& 36" MCR/MCOR
20B	81303-30R	Right Door Receiver Hinge	49	20916-01	Regulator Nipple W/A
21	N/A	N/A	50	82104-02	Dual Thermal Gas Valve W/Broiler Residential
22	86010-01	CG 51" SS Flex Tube, Flare en	51	82150	Valve Fitting Adapter
23	20908-01	Cover, Valve & Regulator 36"	52	82150-01	Valve To Pipe Fitting Adapter
24	20920-36	Bottom Base 36"	53	82207	Regulator 5" Nat 10" LP
25	20923-36	Base Reinforcement 36"	54	86004-04	5/8" X 1/2" FIP Adaptor
26	20024-36R	Right Side Panel For 36"	55	86013-01	Pipe For Regulator And Valve MCR 30"-36"
27	20024-36L	Left Side Panel For 36"	56	86004-01	Res. Flex Hose 5/8"OD X 24" SS
28	20952	Side Bottom Insulation Retainer	57	82130-01	90° Street Elbow
29	N/A	N/A			



ITEM NO.	PART NUMBER	DESCRIPTION	
1	20969-36	DOOR PANEL	1
2	20972-36	DOOR TOP VENT 36"	1
3	81407	GLASS, OUTER, DOOR 36	1
4	81008-04	CAPITAL LOGO 5"	1
5	81430.	MOMENTIVE ADHESIVE	1
6	81430	MOMENTIVE ADHESIVE	1
7	20506-36	DOOR HANDLE	1
8	84052-01	#10-32 X1/4" SOCKET SET SCREW	2
9	81000-02	H. E. Handle End Cap	2
10	84000-02	HEX HEAD 1/4"-20 X 1/2. FULL THREAD	4
11	20979-36L	Door Panel	1
12	20967-22	Glass Side Support	2
13	84045	#8-32 THREAD-CUTTING SCREW	20
14	81303-02	HINGE DOOR 30" RES. RANGE	2
15	20979-36R	Door Panel	1
16	20967-11	Top Glass Holder	1
17	20967-06	Glass Compress Bracket	2
18	20967-03	Glass Bottom Support	1
19	84024-01	#8-32 X 1/2" PAN HEAD PHILLIPS MACHINE SCREW	2
20	84050	#8-32 BLACK-PHOSPHATO FINISH SPRING STEEL TAPPED HOLE NO-SLIP CLIP-ON NUT	2
21	84025-01	#8-32 HEX NUT WITH TOOTH WASHER	6
22	81420-02	DOOR GLASS INNER 27.5	1
23	84024-02	#8-32 X 1/4" PAN HEAD PHILLIPS MACHINE SCREW	6

MCR Door Assy 36"

20955-36